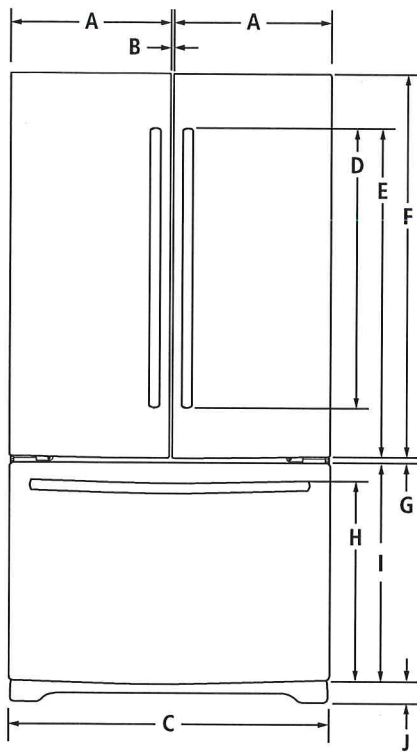


# JENN-AIR® DETAILED PLANNING DIMENSIONS

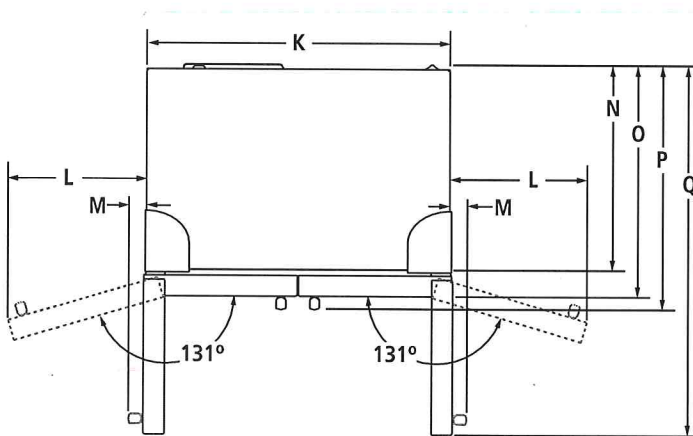
## 69" COUNTER-DEPTH FRENCH DOOR REFRIGERATOR WITH INTERNAL DISPENSER

JFC2089BE – 35 $\frac{1}{8}$ " x 70 $\frac{1}{8}$ " x 29 $\frac{7}{8}$ "

### PRODUCT DIMENSIONS



FRONT VIEW



TOP VIEW

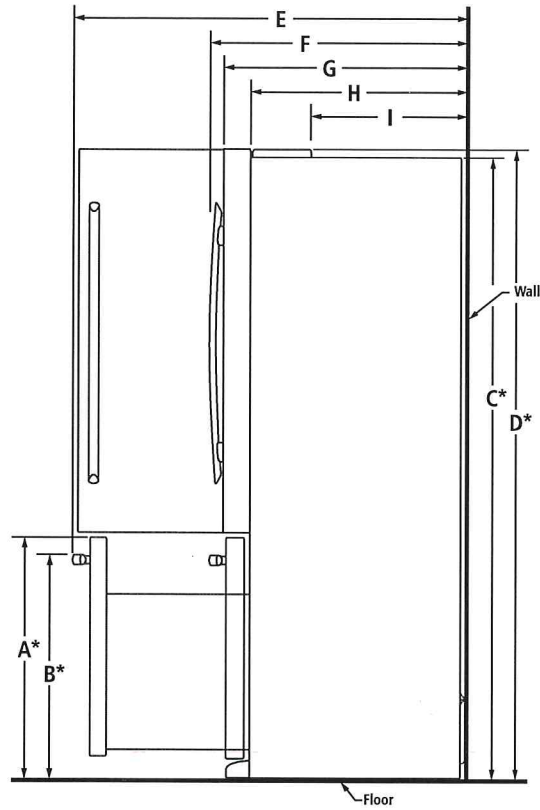
MODEL #		JFC2089BE	
		in	cm
A	Width of each door	17 $\frac{7}{8}$	44.8
B	Space between doors	$\frac{1}{4}$	0.6
C	Overall width	35 $\frac{5}{8}$	90.5
D	Height of door handles Pro-Style® Stainless	26	66.1
		30 $\frac{3}{8}$	77.8
E	Height to top of door handles Pro-Style® Stainless	34 $\frac{3}{8}$	87.3
		36 $\frac{1}{4}$	92.1
F	Height of doors	42 $\frac{3}{8}$	107.6
G	Space between doors and drawer	$\frac{7}{8}$	2.2
H	Height to top of drawer handle Pro-Style® Stainless	22 $\frac{7}{8}$	58.1
		22 $\frac{5}{8}$	57.5
I	Height of drawer	23 $\frac{3}{8}$	60.6
J	Height of grille	2 $\frac{7}{8}$	7.3
K	Width of recessed refrigerator	35 $\frac{5}{8}$	90.5
L	Width from side of refrigerator to door fully open 131°	13 $\frac{1}{2}$	34.3
M	Width from side of refrigerator to handle – door open 90° Pro-Style® Stainless	3 $\frac{3}{4}$	9.5
		3 $\frac{1}{4}$	8.3
N	Depth without doors	24	61.0
O	Depth with doors	27 $\frac{7}{8}$	70.8
P	Depth with handles Pro-Style® Stainless	30 $\frac{1}{2}$	77.5
		29 $\frac{7}{8}$	75.9
Q	Depth with doors open 90°	43	109.2

# JENN-AIR® DETAILED PLANNING DIMENSIONS

## 69" COUNTER-DEPTH FRENCH DOOR REFRIGERATOR WITH INTERNAL DISPENSER

JFC2089BE – 35<sup>5</sup>/<sub>8</sub>" x 70<sup>1</sup>/<sub>8</sub>" x 29<sup>7</sup>/<sub>8</sub>"

### DIMENSIONS AS INSTALLED



SIDE VIEW

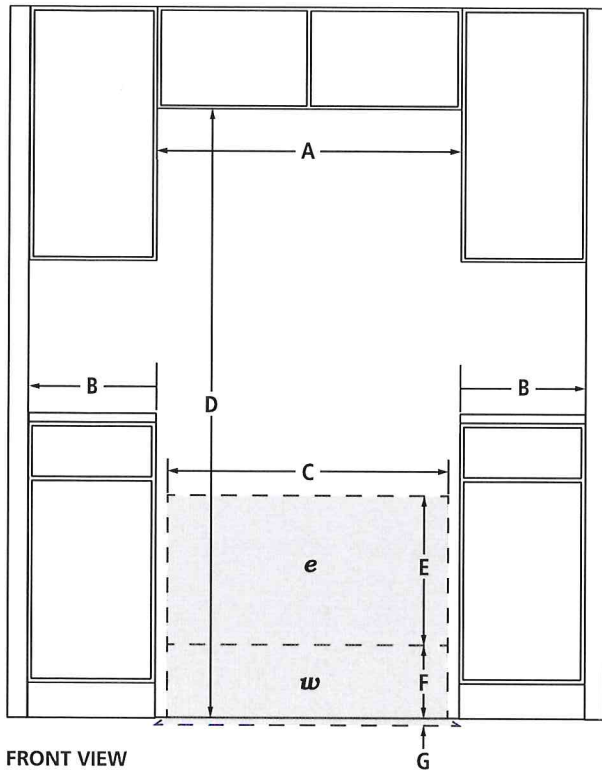
MODEL #		JFC2089BE	
		in	cm
A*	Height to top of drawer (min.)	26 <sup>7</sup> / <sub>8</sub>	68.3
B*	Height to top of drawer handle (min.)		
	Pro-Style® Stainless	25 <sup>7</sup> / <sub>8</sub>	65.7
	Euro-Style Stainless	25 <sup>7</sup> / <sub>8</sub>	65.1
C*	Height of recessed refrigerator (min.)	68 <sup>5</sup> / <sub>8</sub>	174.3
D*	Height to top of hinges (min.)	70 <sup>1</sup> / <sub>8</sub>	178.1
E	Depth with drawer fully open including drawer handle (min.)		
	Pro-Style® Stainless	45 <sup>5</sup> / <sub>8</sub>	115.9
	Euro-Style Stainless	45	114.3
F	Depth with handles (min.)		
	Pro-Style® Stainless	30 <sup>1</sup> / <sub>2</sub>	77.5
	Euro-Style Stainless	29 <sup>7</sup> / <sub>8</sub>	75.9
G	Depth with doors (min.)	27 <sup>7</sup> / <sub>8</sub>	70.8
H	Depth without doors (min.)	24	61.0
I	Depth to back of hinges (min.)	20 <sup>1</sup> / <sub>4</sub>	51.4

\*Add 3/4" (1.9 cm) to the height dimension when leveling legs are fully extended.

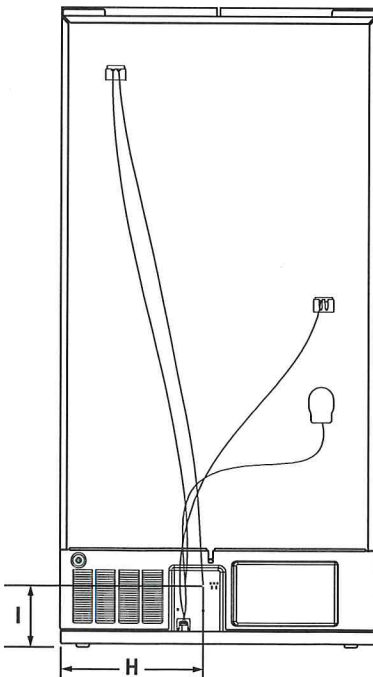
69" COUNTER-DEPTH FRENCH DOOR REFRIGERATOR WITH INTERNAL DISPENSER

JFC2089BE – 35<sup>5</sup>/<sub>8</sub>" x 70<sup>1</sup>/<sub>8</sub>" x 29<sup>7</sup>/<sub>8</sub>"

OPENING/CLEARANCE DIMENSIONS



MODEL #		JFC2089BE	
		in	cm
<b>A</b>	Width (min.)	36 <sup>5</sup> / <sub>8</sub>	93.0
<b>B</b>	Minimum width from side of refrigerator to fixed wall – door open 90° (full access to remove bins)	2 <sup>1</sup> / <sub>2</sub>	6.4
	Minimum width from side of refrigerator to fixed wall – door fully open 131°	13 <sup>1</sup> / <sub>2</sub>	34.3
<b>C</b>	Width of recommended electrical/ water installation area	34	86.4
<b>D</b>	Height (min.)	70 <sup>1</sup> / <sub>8</sub>	178.4
<b>E</b>	Height of recommended electrical installation area (min.-max.)	10-24	25.4-61.0
<b>F</b>	Height of recommended water installation area	10	25.4
<b>G</b>	Depth of recommended water installation area	1	2.5
<b>H</b>	Water line location – distance from side	24 <sup>5</sup> / <sub>8</sub>	62.5
<b>I</b>	Water line location – distance from bottom	9 <sup>7</sup> / <sub>8</sub>	23.8
<b>e</b>	Recommended electrical connection location		
<b>w</b>	Recommended water connection location		



**ELECTRICAL REQUIREMENTS**

115 volt, 60 Hz, AC only, 15- or 20-amp fused, grounded circuit is required. A dedicated circuit is recommended. Use an outlet that cannot be turned off by a switch.

Minimum length of power cord is 60" (152.0 cm). Do not use an extension cord.

**WATER PRESSURE REQUIREMENTS**

A cold water supply with water pressure between 30 and 120 psi (207 and 827 kPa) is required to operate the water dispenser and ice maker. Call a licensed, qualified plumber with any questions about the water pressure.

**Reverse Osmosis Water Supply**

**IMPORTANT:** The pressure of the water coming out of a reverse osmosis system going to the water inlet valve of the refrigerator needs to be between 30 and 120 psi (207 and 827 kPa).

If a reverse osmosis water filtration system is connected to the cold water supply, the water pressure to the reverse osmosis system needs to be a minimum of 40 to 60 psi (276 to 414 kPa).



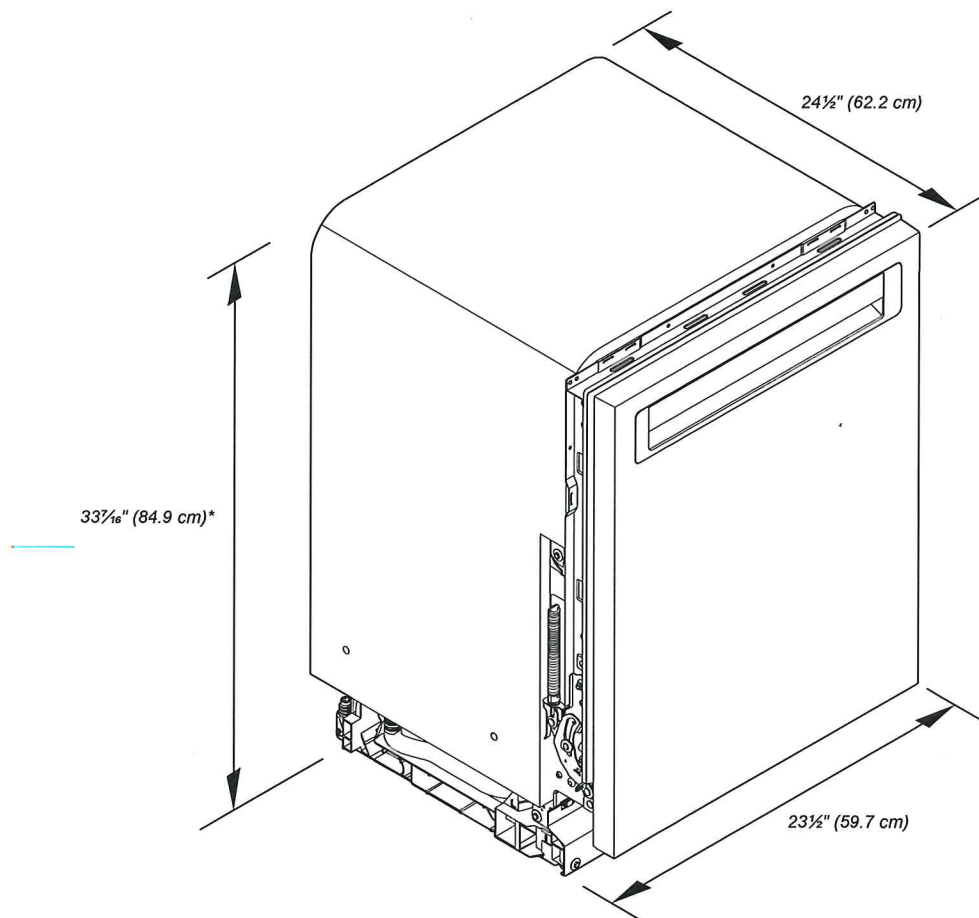
# 24" Dishwasher

## DETAILED PLANNING DIMENSIONS GUIDE

Applies to all model numbers starting with;

KDFE104K, KDTE104K, KDFE204K, KDTE204K, KDTE304LPA,  
KDFM404K, KDTM404K, KDPM604K, KDTM604K, KDPM704K,  
KDTM704K, KDTM704LPA, KDPM804K, KDTM804K

### PRODUCT DIMENSIONS



\*Dishwasher can be raised 1 7/16" (3.7 cm) with feet fully extended.

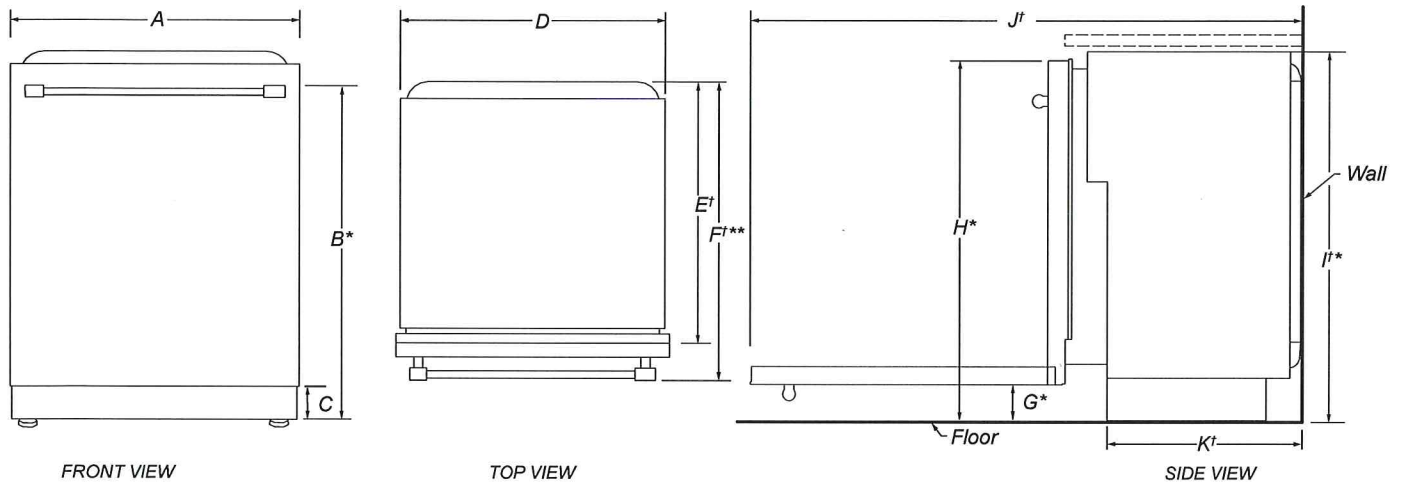
Because Whirlpool Corporation policy includes a continuous commitment to improve our products, we reserve the right to change materials and specifications without notice.

Dimensions are for planning purposes only. For complete details, see Installation Instructions packed with product. Specifications subject to change without notice.

# KitchenAid® 24" Dishwasher

## DETAILED PLANNING DIMENSIONS GUIDE

### PRODUCT DIMENSIONS (CONTD.)



	DESCRIPTION	DIMENSIONS
A	Width of door	23½" (59.7 cm)
B*	Height to top of handle	30 <sup>13</sup> / <sub>16</sub> " (78.3 cm)
C	Height of adjustable toe kick	3 <sup>5</sup> / <sub>16</sub> " (8.4 cm) - min. 4 <sup>11</sup> / <sub>16</sub> " (11.8 cm) - max.
D	Width of recessed dishwasher	22 <sup>5</sup> / <sub>8</sub> " (57.4 cm)
E†	Depth without door	22 <sup>5</sup> / <sub>8</sub> " (57.5 cm)
F†**	Depth with Towel Bar Handle	26 <sup>7</sup> / <sub>8</sub> " (68.3 cm)
	Depth with Pocket Handle	24½" (62.6 cm)
	Depth of Panel-Ready Models	24" (61.0 cm)
G*	Height to bottom of door (min.)	3 <sup>5</sup> / <sub>16</sub> " (8.4 cm)
H*	Height to top of door (min.)	33 <sup>7</sup> / <sub>16</sub> " (84.9 cm)
I†*	Height of recessed dishwasher (min.)	33 <sup>5</sup> / <sub>8</sub> " (85.4 cm)
J†	Depth with door fully open (min.)	50 <sup>3</sup> / <sub>16</sub> " (127.4 cm)
K†	Depth with toe kick (min.)	20 <sup>13</sup> / <sub>16</sub> " (52.9 cm)

†Insulation blanket thickness adds up to 11/16" (1.8 cm) but can crush up to 1/8" (0.3 cm).

\*Dishwasher can be raised 1<sup>1</sup>/<sub>16</sub>" (3.7 cm) with feet fully extended.

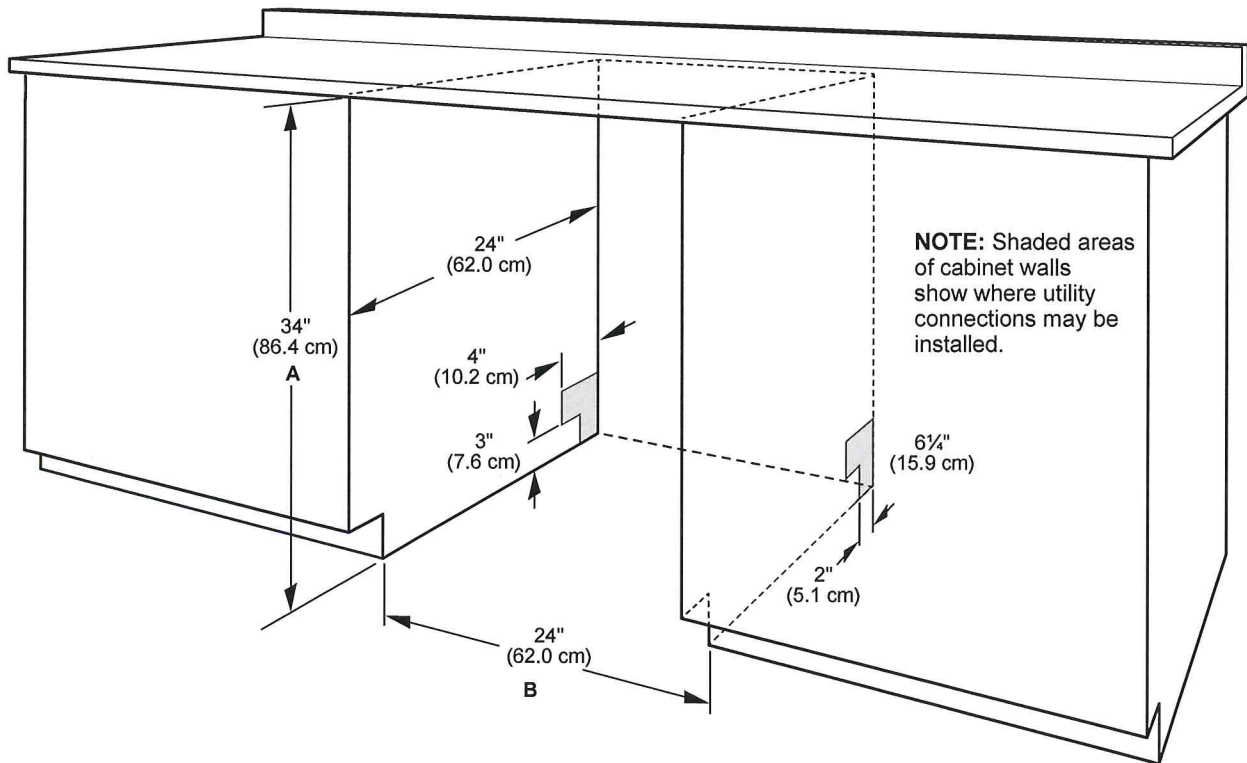
\*\*For panel-ready models, dishwasher depth is 24" (61.0 cm), not including the 3/4" (1.9 cm) custom door panel.

Because Whirlpool Corporation policy includes a continuous commitment to improve our products, we reserve the right to change materials and specifications without notice.

Dimensions are for planning purposes only. For complete details, see Installation Instructions packed with product. Specifications subject to change without notice.

### OPENING/CLEARANCE DIMENSIONS

**IMPORTANT:** Check that all surfaces have no protrusions that would prohibit dishwasher installation.



A. Measured from the lowest point on the underside of the countertop. May be reduced to 33½" (85.1 cm) by removing the wheels and perforated area of insulation (blanket) on dishwasher.

B. Minimum, measured from narrowest point of opening.

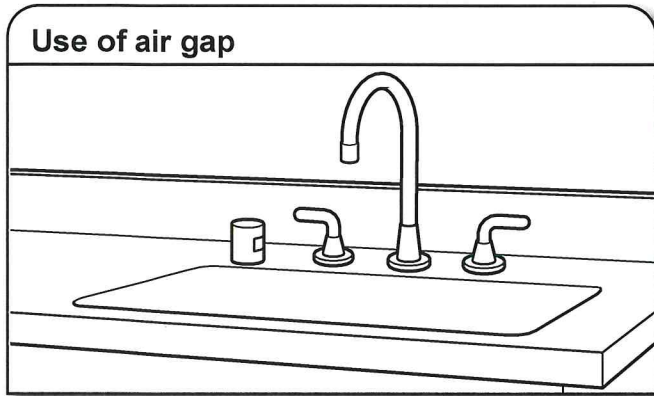
**NOTE:** Corner locations require a 2" (5.1 cm) minimum clearance between the side of the dishwasher door and the wall or cabinet.

## DRAIN REQUIREMENTS

- A new drain hose is supplied with your dishwasher. If drain hose is not long enough, use a new drain hose with a maximum length of 12 ft (3.7 m) that meets all current AHAM/ IAPMO test standards, is resistant to heat and detergent, and fits the 1" (2.5 cm) drain connector of the dishwasher.

**NOTE:** Do not connect multiple drain hoses together.

- Make sure to connect drain hose to waste tee or disposer inlet above drain trap in house plumbing and 20" (50.8 cm) minimum above the floor. It is recommended that the drain hose either be looped up and securely fastened to the underside of the counter or be connected to an air gap.
- Make sure to use an air gap if the drain hose is connected to house plumbing lower than 20" (50.8 cm) above subfloor or floor.



- If required, the air gap should be installed in accordance with the air gap installation instructions. When you are connecting the air gap, a rubber hose (not provided) will be needed to connect to the waste tee or disposer inlet.
- Use 1/2" (1.3 cm) minimum I.D. drain line fittings.

## WATER SUPPLY REQUIREMENTS

- This dishwasher has a water heating feature and also requires a connection to a hot water supply line.
- A hot water line with 20 psi to 120 psi (138 kPa to 862 kPa) water pressure can be verified by a licensed plumber.
- 120°F (49°C) water at dishwasher.
- 3/8" (0.95 cm) O.D. copper tubing with compression fitting or flexible braided water supply line.

**NOTE:** 1/2" (1.3 cm) minimum plastic tubing is not recommended.

- A 90° elbow with 3/4" (0.95 cm) hose connection with rubber washer.
- Do not solder within 6" (15.2 cm) of the water inlet valve.
- If installed in new construction, make sure the house water supply lines have been flushed prior to connecting the dishwasher to remove any debris that may exist in the supply line.

**NOTE:** If replacing an existing dishwasher, it is recommended to install a new water line and drain hose (supplied) with the new dishwasher.

## ELECTRICAL REQUIREMENTS

### ⚠ WARNING



#### Electrical Shock Hazard

**Plug into a grounded 3 prong outlet.**

**Do not remove ground prong.**

**Do not use an adapter.**

**Do not use an extension cord.**

**Failure to follow these instructions can result in death, fire, or electrical shock.**

Be sure that the electrical connection and wire size are adequate and in conformance with the National Electrical Code, ANSI/NFPA 70 - latest edition, and all local codes and ordinances.

A copy of the above code standards can be obtained from:

National Fire Protection Association  
1 Batterymarch Park  
Quincy, MA 02169-7471

#### You Must Have:

- 120 V, 60 Hz, AC only, 15 A or 20 A, fused electrical supply
- Copper wire only
- A maximum of 2 field wiring supply conductors (12 AWG largest size) plus 1 grounding conductor are permitted in the terminal box.


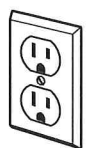
#### We Recommend:

- A time-delay fuse or circuit breaker.

#### Circuit Requirements:

- The dishwasher may be installed on the same circuit as a garbage disposal providing that the branch circuit cannot exceed rated circuit load and must comply with all governing codes and regulations such as but not limited to National Electrical Code, ANSI/NFPA 70 - latest edition.
- No electrical connections other than the dishwasher power and ground connections can be made inside of the dishwasher terminal box.

#### If connecting dishwasher with a power supply cord:

- Use UL Listed power cord kit marked for use with dishwasher. 
- Plug into a grounded 3 prong outlet. Outlet must meet all local codes and ordinances. 

#### If connecting dishwasher with direct wiring:

- Use flexible, armored, or nonmetallic sheathed copper wire with grounding wire that meets the wiring requirements for your home and local codes and ordinances.

- Use a UL Listed/CSA Approved metallic strain relief. 

# SHARP | Simply Better Living

MICROWAVE DRAWER™

## SMD2470AS

1.2  
CU.FT.

950  
WATTS

Easy Touch automatic drawer system smoothly opens and enables hands-free close

Convenient kitchen placement allows for easier cooking, saves prep and clean up time

Concealed control panel opens to an easy-to-read and operate 45° angle

Cooking space large enough for a 4 qt casserole dish or a 20 oz beverage

Cooking performance from one of the most trusted brands in microwaves



## DESIGNED FOR YOUR DREAM KITCHEN

It's your kitchen, your design and your lifestyle. Sharp's Microwave Drawer™ Oven allows you to focus on the design elements you prefer by removing the microwave from sight-lines and enabling more design versatility than typical built-in, over-the-range or countertop microwaves. The Microwave Drawer™ offers flexible placement options below an island, peninsula, or standard cabinetry, and can also be installed adjacent to your wall oven. The Microwave Drawer™ allows you to showcase your design savvy and create a kitchen that flows with your lifestyle.

The Sharp Microwave Drawer™ Oven boasts an easy-to-read display that disappears until you need it. The concealed control panel opens at a 45-degree angle, so it's easy to read and operate. Sharp's exclusive Easy Touch Automatic Drawer system eases open with the touch of a button. Give the drawer a small nudge and it smoothly shuts for you. The even, gliding action and solid construction helps prevent liquids from spilling during opening and closing.



1.2 cu. capacity large enough for a 4-qt casserole dish and tall enough for a large, 20 oz. beverage cup. (Installed in a kitchen island)



Cooking and cleaning is made easier by pulling the microwave at an accessible height. (Installed under a counter)



Designed to complement the widest range of kitchen styles and appliances, including our SuperSteam+. (Paired with a built-in wall oven)

SHARP ELECTRONICS CORPORATION  
100 Paragon Drive, Montvale NJ, 07645  
1.800.237.4277 • www.sharppusa.com

**SHARP**  
Be Original.



# SHARP | Simply Better Living

MICROWAVE DRAWER™

## SMD2470AS

1.2  
CU.FT.

950  
WATTS

### SPECIFICATIONS

#### FEATURES

Finish	Stainless Steel
Drawer Opening	Easy Touch Automatic
Capacity*	1.2 cu. ft. (holds 9" x 13" dish)
Output Power	950 watts
Sensor Cook, Reheat and Popcorn	Yes, 12 settings
Reheat Auto Settings	2 settings
Defrost Auto Settings	6 settings
Microwave Keep Warm Setting	Yes, up to 30 minutes
Clock	Yes
Minute Plus™	Yes
Interior Oven Light	Yes
Kitchen Timer	Yes
Control Lock	Yes
Demonstration Mode	Yes
Built-In Ready for Easy Installation	Yes

#### CONTROL PANEL

Control Panel Location	Center/Top
Control Panel Type	Touchpad, Drop-Down 45° Angle
Display Type	LCD
Display Color	White on Black Background

#### OPTIONAL ACCESSORY

24" Flush Mount Deflector Vent	SKMD24F0AS
Flush Mount Deflector Vent Kit	(1) PREF-B019MRP0 (2) LX-CZB055MRE0

#### ADDITIONAL SPECIFICATIONS

Power Connection:	3-Prong Grounding Plug (Included)
Power Ratings:	120V, 60Hz / 1.67kW, 14.5 Amps
Safety Compliance:	FCC, DHHS, UL listed

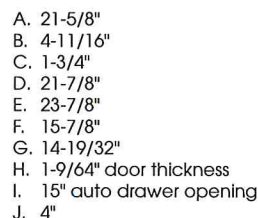
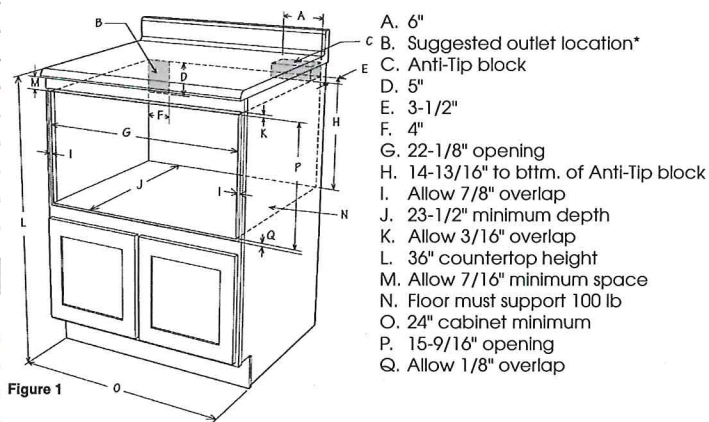
#### DIMENSIONS & WEIGHT (in./lbs.) (w x h x d)

Cutout Dimensions:	22 1/8" x 15 9/16" x 23 1/2"
Dimensions:	23 7/8" x 15 7/8" x 23 1/64"
Shipping Weight (lbs.):	86
Product Weight (lbs.):	74

#### WARRANTY/UPC

Parts	1 year
Labor	1 year
Magnetron Tube	5 years total (part only)
UPC	074000619371

#### CLICK TO DOWNLOAD INSTALLATION GUIDE



Internal capacity calculated by measuring maximum width, depth and height. Actual capacity for holding food is less.

Product specifications and design are subject to change without notice.

© 2018 Sharp Electronics Corporation. All rights reserved.

Sharp, Microwave Drawer, Supersteam+, Healsio, Plasmacluster and all related trademarks are trademarks or registered trademarks of Sharp Corporation and/or its affiliated companies. All other trademarks are property of their respective owners.

QUESTIONS?

1.800.BE.SHARP

### SIMPLY BETTER LIVING

At Sharp Home Electronics Company of America, we are committed to Simply Better Living. Our innovative home appliance products are SIMPLE to use, BETTER than the competition, and encourage a HEALTHY LIFESTYLE.

SHARP ELECTRONICS CORPORATION  
100 Paragon Drive, Montvale NJ, 07645  
1.800.237.4277 • www.sharppusa.com



**SHARP**  
Be Original.

## Wall-Mount Canopy Range Hood

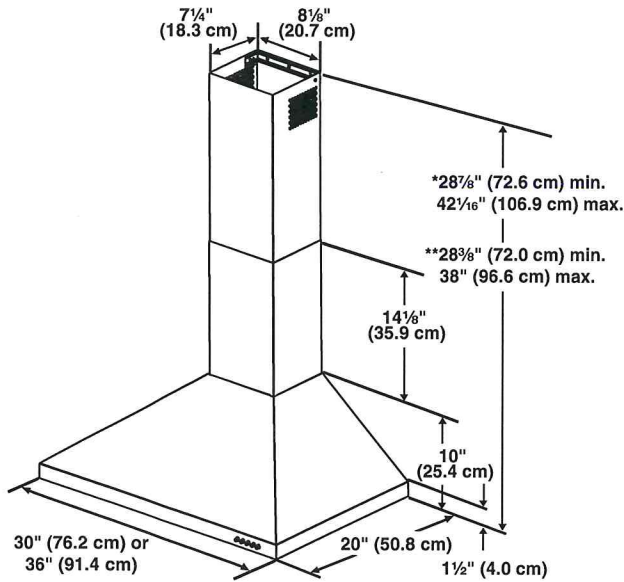
### PRODUCT MODEL NUMBERS

KVWB400D

KVWB406B

**Electrical:** A 120-volt, 60 Hz, AC only, 15-amp, fused electrical circuit is required.

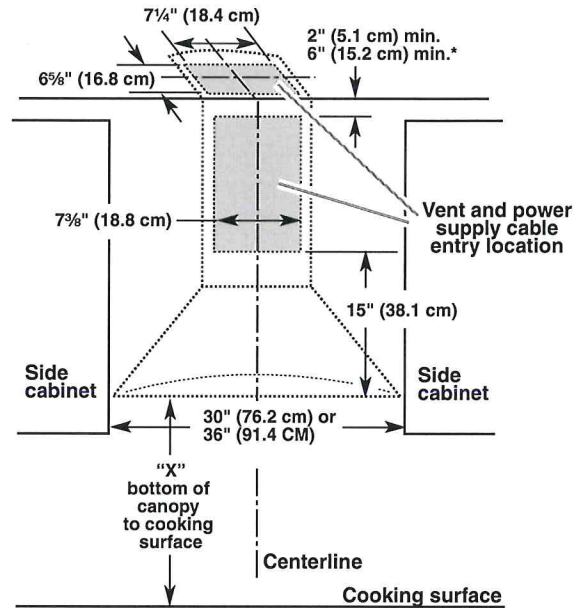
### PRODUCT DIMENSIONS



\*For non-vented (recirculating) installations

\*\*For vented installations

### CABINET DIMENSIONS



\*For non-vented (recirculating) installations

### IMPORTANT:

Minimum distance "X": 24" (61.0 cm) from electric cooking surface.

Minimum distance "X": 27" (68.6 cm) from gas cooking surfaces.

Suggested maximum distance "X": 36" (91.4 cm)

The chimneys can be adjusted for different ceiling heights. See the following chart.

Vented Installations		
	Min. ceiling height	Max. ceiling height
Electric cooking surface	7' 5" (2.26 m)	9' 2" (2.79 m)
Gas cooking surface	7' 8" (2.34 m)	9' 2" (2.79 m)
Non-vented (recirculating) Installations		
	Min. ceiling height	Max. ceiling height
Electric cooking surface	7' 5" (2.26 m)	9' 6" (2.9 m)
Gas cooking surface	7' 8" (2.34 m)	9' 6" (2.9 m)

**\*NOTE:** The range hood chimneys are adjustable and designed to meet varying ceiling or soffit heights depending on the distance "X" between the bottom of the range hood and the cooking surface. For higher ceilings, a Stainless Steel Chimney Extension Kit Part Number W10337357 is available from your dealer or an authorized parts distributor. The chimney extension replaces the upper chimney shipped with the range hood.

## VENTING METHODS

This canopy hood is factory set for venting through the roof or wall.  
A 6" (15.2 cm) round vent system is needed for installation (not included).  
The hood exhaust opening is 6" (15.2 cm) round.

**NOTE:** Flexible vent is not recommended. Flexible vent creates back pressure and air turbulence that greatly reduce performance.

Vent system can terminate either through the roof or wall. To vent through a wall, a 90° elbow is needed.

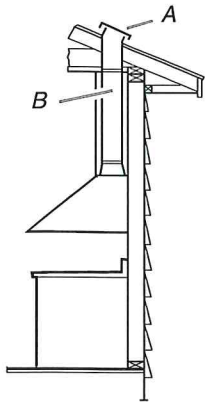
### Rear discharge

A 90° elbow may be installed immediately above the hood.

### For Non-Vented (recirculating) Installations

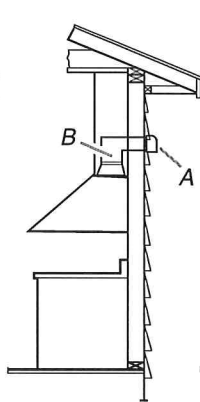
If it is not possible to vent cooking fumes and vapors to the outside, the hood can be used in the non-vented (recirculating) version, using a Recirculation Kit (which includes charcoal filters and a deflector). To order, see the "Assistance or Service" section.

#### Roof Venting



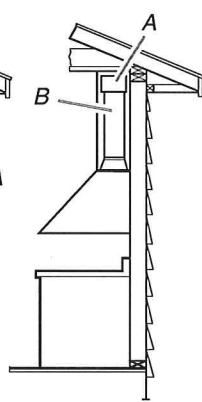
A. Roof cap  
B. 6" (15.2 cm)  
round vent

#### Wall Venting



A. Wall cap  
B. 6" (15.2 cm)  
round vent

#### Non-vented (recirculating)



A. Deflector  
B. 6" (15.2 cm)  
round vent

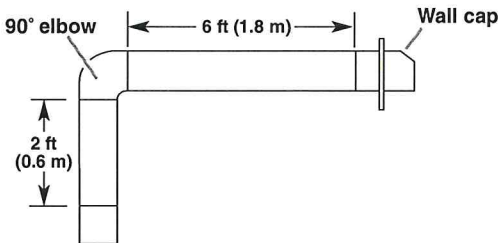
## Calculating Vent System Length

To calculate the length of the system you need, add the equivalent feet (meters) for each vent piece used in the system.

Vent Piece	6" (15.2 cm)
45° elbow	2.5 ft (0.8 m)
90° elbow	5.0 ft (1.5 m)

Maximum equivalent vent length is 35 ft (10.7 m).

### Example vent system



The following example falls within the maximum recommended vent length of 35 ft (10.7 m).

1 - 90° elbow	= 5.0 ft (1.5 m)
1 - wall cap	= 0.0 ft (0.0 m)
8 ft (2.4 m) straight	= 8.0 ft (2.4 m)
<b>Length of system</b>	<b>= 13.0 ft (3.9 m)</b>

# KitchenAid® 30" (76.2 cm) Slide-in Gas Range

## PRODUCT MODEL NUMBERS

KSGB900E KSGG700E

## GAS SUPPLY REQUIREMENTS

### Gas supply line:

- Provide a gas supply line of  $\frac{3}{4}$ " (1.9 cm) rigid pipe to the range location. A smaller size pipe on longer runs may result in insufficient gas supply. With LP gas, piping or tubing size can be  $\frac{1}{2}$ " (1.3 cm) minimum. Usually, LP gas suppliers determine the size and materials used in the system.

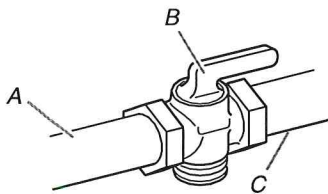
**NOTE:** Pipe-joint compounds that resist the action of LP gas must be used. Do not use TEFLON® tape.

### Flexible metal appliance connector:

- If local codes permit, a new CSA design-certified, 4 to 5 ft (122 to 152.4 cm) long,  $\frac{1}{2}$ " (1.3 cm) or  $\frac{3}{4}$ " (1.9 cm) I.D., flexible metal appliance connector may be used for connecting range to the gas supply line.



- A  $\frac{1}{2}$ " (1.3 cm) male pipe thread is needed for connection to the female pipe threads of the inlet to the appliance pressure regulator.
- Do not kink or damage the flexible metal tubing when moving the range.
- Must include a shutoff valve:  
The supply line must be equipped with a manual shutoff valve. This valve should be located in the same room but external to the range opening, such as an adjacent cabinet. It should be in a location that allows ease of opening and closing. Do not block access to shutoff valve. The valve is for turning on or shutting off gas to the range.



A. Gas supply line  
B. Shutoff valve "open" position  
C. To range

## Gas Pressure Regulator

The gas pressure regulator supplied with this range must be used. The inlet pressure to the regulator should be as follows for proper operation:

### Natural gas:

Minimum pressure: 5" WCP  
Maximum pressure: 14" WCP

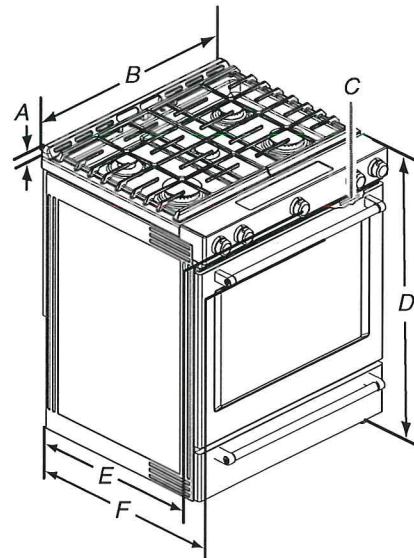
### LP gas:

Minimum pressure: 11" WCP  
Maximum pressure: 14" WCP

Contact local gas supplier if you are not sure about the inlet pressure.

## PRODUCT DIMENSIONS

This manual covers several models. Your model may appear different from the models depicted. Dimensions given are maximum dimensions across all models.



A.  $1\frac{3}{16}$ " (3.0 cm) height from cooktop to top of vent

B.  $29\frac{7}{8}$ " (75.9 cm)

C. Model/serial number plate (located behind the oven door on the top right-hand side of the oven frame)

D. 36" (91.4 cm) height to top of cooktop edge with leveling legs screwed all the way in\*

E.  $28\frac{5}{16}$ " (71.9 cm) max. depth from front of console to back of range.

F.  $28\frac{7}{8}$ " (73.3 cm) max. depth from handle to back of range.

**IMPORTANT:** Range must be level after installation. Follow the instructions in the "Level Range" section. Using the cooktop as a reference for leveling the range is not recommended.

\*Range can be raised approximately 1" (2.5 cm) by adjusting the leveling legs.

## Type of Gas

### Natural gas:

- This range is factory set for use with Natural gas. See "Gas Conversions" section. The model/serial rating plate located behind the control panel has information on the types of gas that can be used. If the types of gas listed do not include the type of gas available, check with the local gas supplier.

### LP gas conversion:

Conversion must be done by a qualified service technician.

No attempt shall be made to convert the appliance from the gas specified on the model/serial rating plate for use with a different gas without consulting the serving gas supplier. See "Gas Conversions" section.

<sup>1</sup>®TEFLON is a registered trademark of E.I. Du Pont De Nemours and Company.

## ELECTRICAL REQUIREMENTS

**IMPORTANT:** The range must be electrically grounded in accordance with local codes and ordinances, or in the absence of local codes, with the National Electrical Code, ANSI/NFPA 70 or Canadian Electrical Code, CSA C22.1.

If codes permit and a separate ground wire is used, it is recommended that a qualified electrical installer determine that the ground path is adequate.

- A 120 volt, 60 Hz., AC only, 15-amp fused, electrical circuit is required. A time-delay fuse or circuit breaker is also recommended. It is recommended that a separate circuit serving only this range be provided.
- Electronic ignition systems operate within wide voltage limits, but proper grounding and polarity are necessary. Check that the outlet provides 120-volt power and is correctly grounded.

## CABINET OPENING DIMENSIONS

Cabinet opening dimensions shown are for 25" (64.0 cm) countertop depth, 24" (61.0 cm) base cabinet depth and 36" (91.4 cm) countertop height.

**IMPORTANT:** If installing a range hood or microwave hood combination above the range, follow the range hood or microwave hood combination installation instructions for dimensional clearances above the cooktop surface.

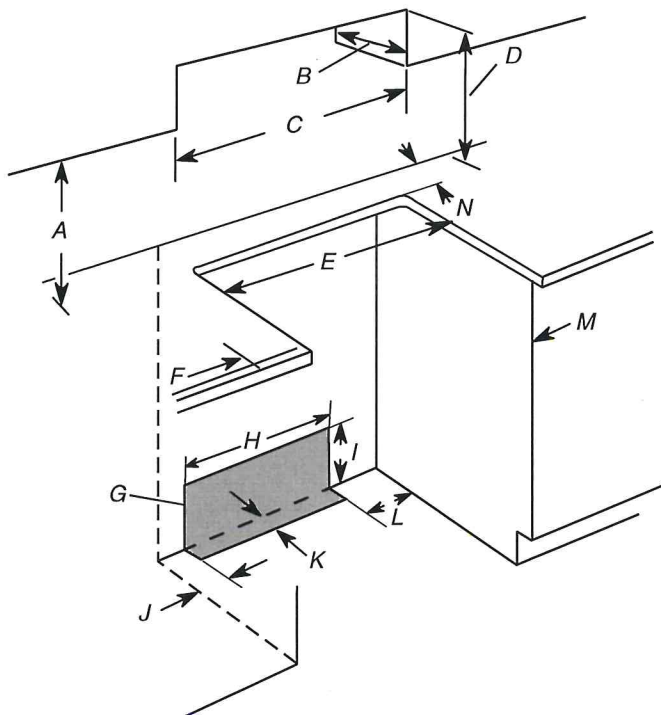
Range may be installed next to combustible walls with zero clearance.

**NOTE:** When installed in a slide-in cutout, the front of oven door may protrude beyond the base cabinet.

- A. 18" (45.7 cm) upper side cabinet to countertop
- B. 13" (33 cm) max. upper cabinet depth
- C. 30" (76.2 cm) min. opening width
- D. For minimum clearance to top of cooktop, see NOTE\*.
- E. In U.S.A.: 30" (76.2 cm) min. opening width  
In Canada: 31" (78.7 cm) min. opening width
- F. 3" (7.6 cm) min. clearance from both sides of range to side wall or other combustible material.
- G. The shaded area is recommended for installation of rigid gas pipe and grounded outlet.
- H. 13 1/8" (33.3 cm)
- I. 7 1/16" (19.5 cm)
- J. 4 13/16" (12.2 cm)
- K. 3 1/16" (9.4 cm) or measurement of N, whichever is greater
- L. 12" (30.5 cm)
- M. Cabinet door or hinges should not extend into the cutout.
- N. Remaining counter depth should not exceed 2 1/4" (5.7 cm)

**\*NOTE:** 24" (61.0 cm) minimum when bottom of wood or metal cabinet is shielded by not less than 1/4" (0.64 cm) flame retardant millboard covered with not less than No. 28 MSG sheet steel, 0.015" (0.4 mm) stainless steel, 0.024" (0.6 mm) aluminum or 0.020" (0.5 mm) copper.

30" (76.2 cm) minimum clearance between the top of the cooking platform and the bottom of an uncovered wood or metal cabinet.



PRESRV™

WINE COOLER

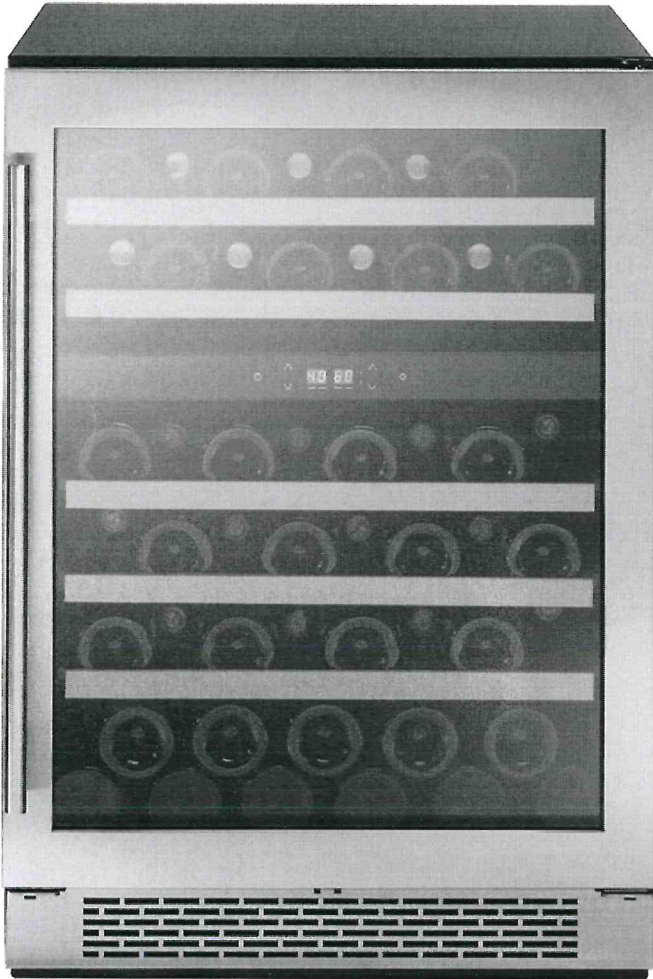
DUAL ZONE

For wines that are twice as nice, our Presrv™ Dual Zone Wine Cooler means never having to choose between white or red, and always being ready to pour your favorites. This large capacity cooler maintains two distinct temperature

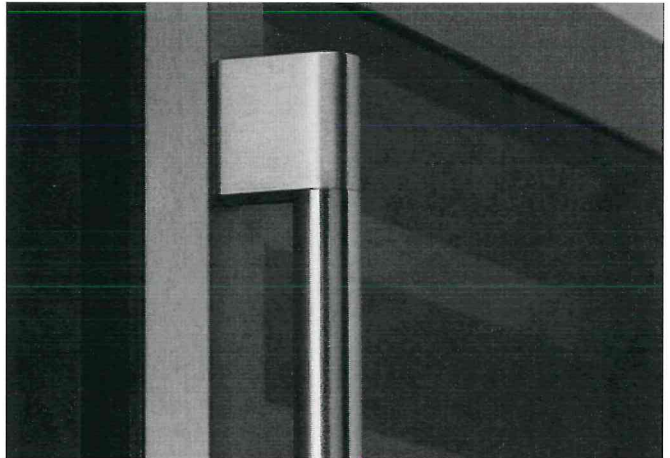
zones with PreciseTemp™ temperature control and includes Active Cooling Technology to ensure even cooling, along with loads of other features from Full-Extension Wood Racks to a vibration dampening system and more.

**ZEPHYR**

ZEPHYRONLINE.COM



Easily stores Pinot Noir and Chardonnay bottles



Optional Pro Handle

**How Presrv™ Stands Out:**



**PreciseTemp™**  
Multiple internal sensors help maintain accurate temperatures



**Vibration Dampening System**  
Noise and vibration is reduced to minimize wine disturbance



**Active Cooling Technology**  
An on-board computer controls active cooling fans to provide temperature stability and even cooling



**3-Color LED Lighting**  
Available in Cloud White, Deep Blue and Amber

**MODEL**  
Dual Zone Wine Cooler **PRW24C02BG**

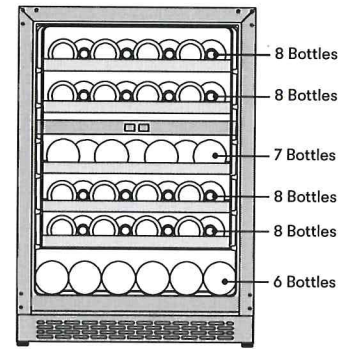
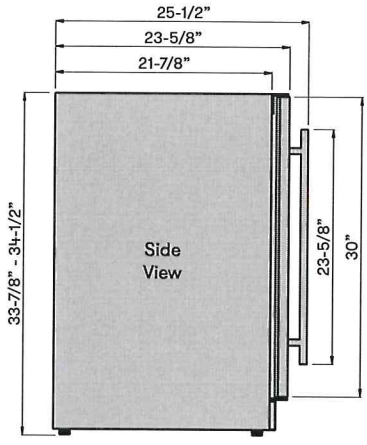
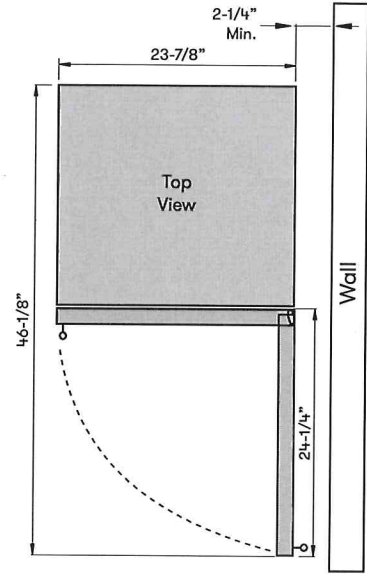
**Size** 24"  
**Dimensions** 23-7/8"W x 33-7/8"H x 23-5/8"D  
**Weight** 128lbs.  
**Installation Type** Compact / Built-in / Freestanding  
**Refrigerant Type** R600a

**FEATURES**  
**Capacity** 45 bottles (750 ml)  
**Volume** 5.2 cu/ft  
**Temperature Range** 40° - 65° F (both zones)  
**Sound Level** 39 dBA  
**Door Finish** 304-grade Stainless + Glass  
**Cabinet Finish** Black  
**Interior Finish** Black  
**Field-Reversible Door** Yes  
**Door Glass** Dual-pane, Low-e Argon-filled\*  
**Shelving** 5 full-extension, black wood racks w/ stainless trim  
**Controls** Electronic Capacitive Touch  
**Lighting** 3-Color LED  
Cloud White, Deep Blue, Amber  
**Door Open Alarm** Yes, after 3 minutes  
**Sabbath Mode** Yes  
**Air Filtration** Yes, w/ carbon filter  
**PreciseTemp™** Yes  
**Active Cooling Technology** Yes  
**Vibration Dampening System** Yes

**AC POWER** 115V, 60Hz at Max. 1.0A

**OPTIONAL ACCESSORIES**  
Pro Handle Kit PRHAN-C001

**WARRANTY** 2 years parts, 5 years compressor  
1 year labor



**DID YOU KNOW?**

Easily stores large diameter bottles such as Pinot Noir, Chardonnay, and Champagne on the designated 7 bottle capacity rack.

**Transforming the Kitchen through Design, Discovery, and Care**

Specifications subject to change, check zephyronline.com for up-to-date information.  
Zephyr | 2277 Harbor Bay Parkway, Alameda, CA 94502 | 888.880.8368

AUG19.0101



## DETAILED PLANNING DIMENSION

1 of 15

WHIRLPOOL® FRONT LOAD WASHER WITH LOAD & GO™ DISPENSER - 4.5 cu ft



**IMPORTANT:** Dimensional specifications are provided for planning purposes only.

**Whirlpool®**

W11466162A



# DETAILED PLANNING DIMENSION

## WHIRLPOOL® FRONT LOAD WASHER WITH LOAD & GO™ DISPENSER - 4.5 cu ft

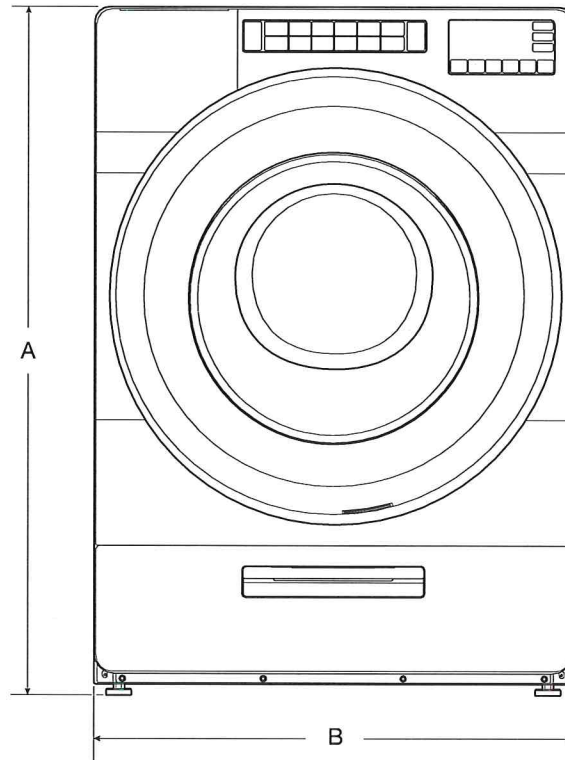
### ELECTRICAL REQUIREMENTS

**WARNING:** To reduce the risk of fire, electric shock, or injury to persons, read the IMPORTANT SAFETY INSTRUCTIONS and INSTALLATION INSTRUCTIONS, located in your appliance's Owner's Manual, before installing and operating this appliance.

Electrical Requirements	
WFW5620HW	4.5 cu ft DOE (US)/5.2 cu ft IEC (CAN)
Minimum Circuit Amperage Rating	15 A
Maximum Ampere Draw	10.36 A
Operating Voltage	120 V AC only
Operating Frequency	60 Hz

### PRODUCT DIMENSIONS

WFW5620HW	4.5 cu ft DOE (US)/5.2 cu ft IEC (CAN)			
Unit of Measurement	in (minimum)	mm (minimum)	in (maximum)	mm (maximum)
Height (with feet) (A)	38 $\frac{3}{8}$	981	40	1016
Product Width (B)	27	686	-	-



FRONT VIEW

**IMPORTANT:** Dimensional specifications are provided for planning purposes only.

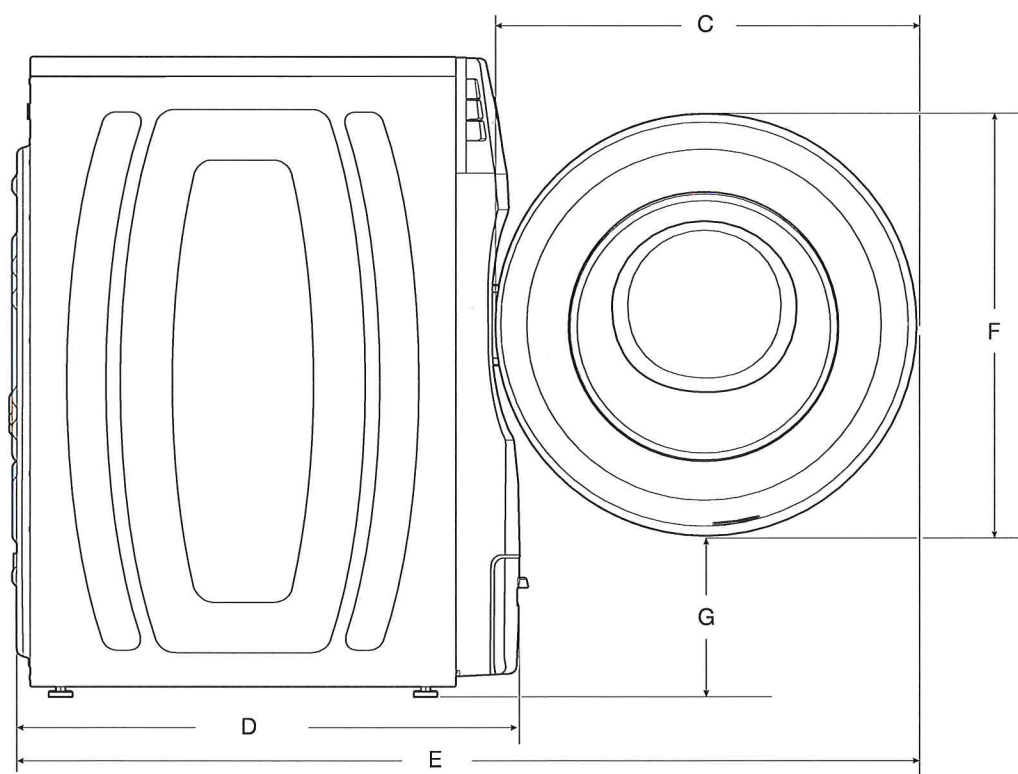


# DETAILED PLANNING DIMENSION

## WHIRLPOOL® FRONT LOAD WASHER WITH LOAD & GO™ DISPENSER - 4.5 cu ft

### PRODUCT DIMENSIONS

WFW5620HW	4.5 cu ft DOE (US)/5.2 cu ft IEC (CAN)			
Unit of Measurement	in (minimum)	mm (minimum)	in (maximum)	mm (maximum)
Door Width (C)	25 <sup>1</sup> / <sub>16</sub>	652	-	-
Product Depth (D)	31 <sup>1</sup> / <sub>16</sub>	802	-	-
Product Depth with Door Open (E)	54 <sup>7</sup> / <sub>8</sub>	1393	-	-
Door Height (F)	25 <sup>1</sup> / <sub>16</sub>	652	-	-
Height to Bottom of Door (G)	9 <sup>1</sup> / <sub>2</sub>	241	-	-



**SIDE VIEW**

**IMPORTANT:** Dimensional specifications are provided for planning purposes only.

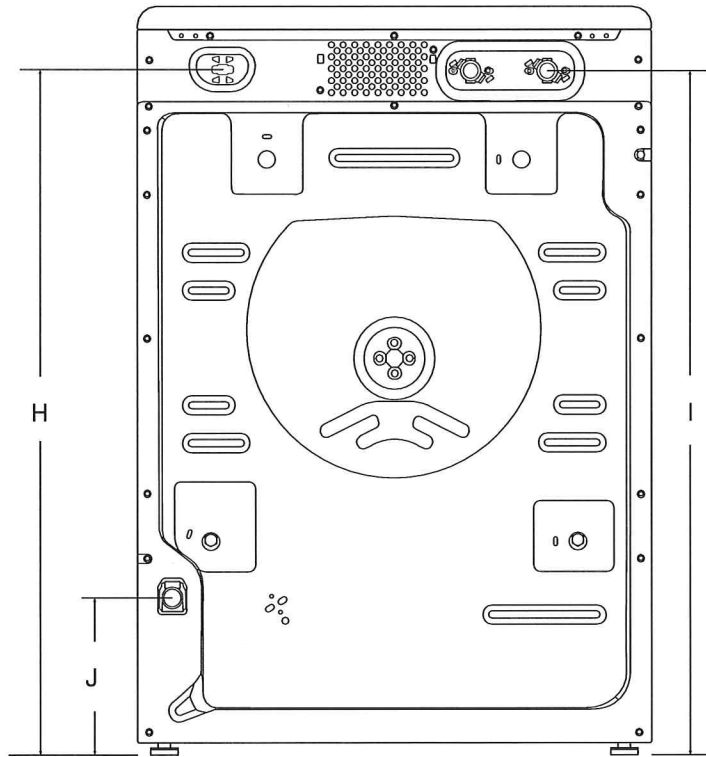


# DETAILED PLANNING DIMENSION

## WHIRLPOOL® FRONT LOAD WASHER WITH LOAD & GO™ DISPENSER - 4.5 cu ft

### PRODUCT DIMENSIONS

WFW5620HW	4.5 cu ft DOE (US)/5.2 cu ft IEC (CAN)			
Unit of Measurement	in (minimum)	mm (minimum)	in (maximum)	mm (maximum)
Position of Power Cord (H)	35 <sup>5</sup> / <sub>16</sub>	897	-	-
Power Cord Length	72	1830	-	-
Position of Water Inlet Valves (I)	35 <sup>5</sup> / <sub>16</sub>	897	-	-
Position of Drain Hose (J)	8	205	-	-
Drain Hose Length	52	1321	-	-
Diameter of Drain Hose	1	26	-	-



BACK VIEW

**IMPORTANT:** Dimensional specifications are provided for planning purposes only.



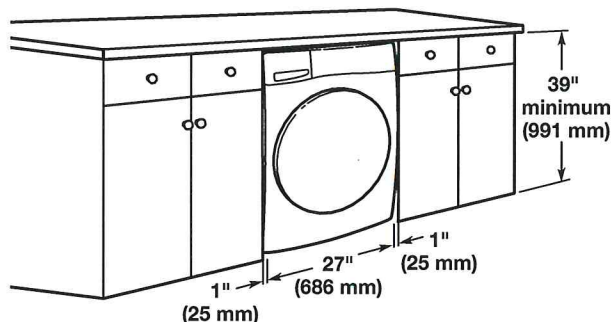
# DETAILED PLANNING DIMENSION

## WHIRLPOOL® FRONT LOAD WASHER WITH LOAD & GO™ DISPENSER - 4.5 cu ft

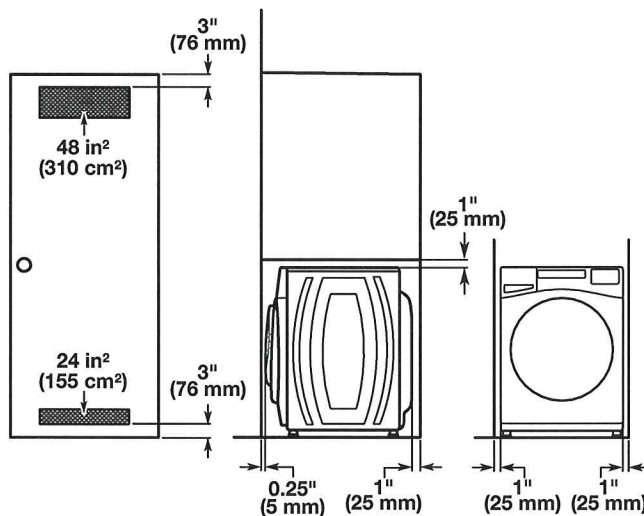
All Dimensions show recommended spacing allowed, except for closet door ventilation openings which are minimum required. This washer has been tested for installation with spacing of 0" (0 mm) clearance on the sides. Consider allowing more space for ease of installation and servicing, and spacing for companion appliances and clearances for walls, doors, and floor moldings. Add spacing of 1" (25 mm) on all sides of washer to reduce noise transfer. If a closet door or louvered door is installed, top and bottom air openings in door are required.

\*For additional details (or information) specific to your model, refer to your Quick Start Guide.

### CUSTOM UNDER COUNTER INSTALLATION



### RECESSED AREA OR CLOSET INSTALLATION



**NOTE:** All 27" wide washers should have 19" clearance, while all 29" wide washers should have 22" clearance.

**IMPORTANT:** Dimensional specifications are provided for planning purposes only.





**Dimension Guide  
Whirlpool® Dryer with  
Intuitive Touch Controls - 7.4 cu. ft.**

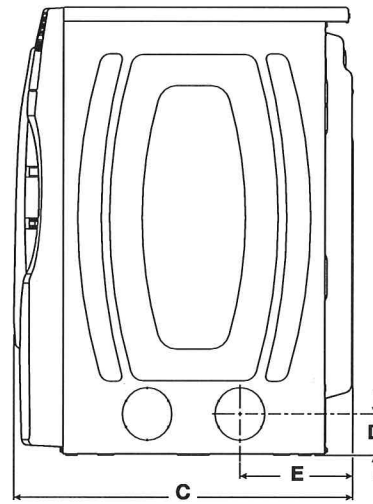
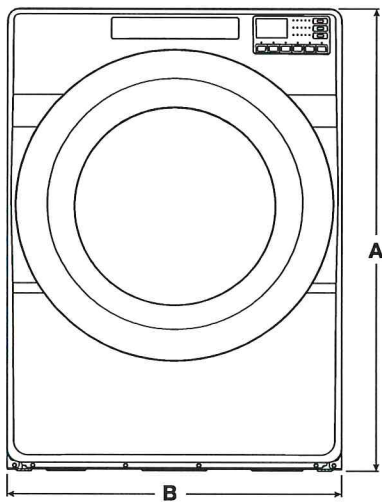
**White  
Available  
YWED5620HW - Electric  
WED5620HW - Electric  
WGD5620HW - Gas**



## DETAILED PLANNING DIMENSIONS

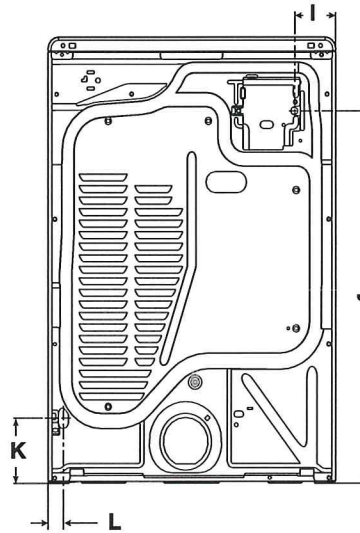
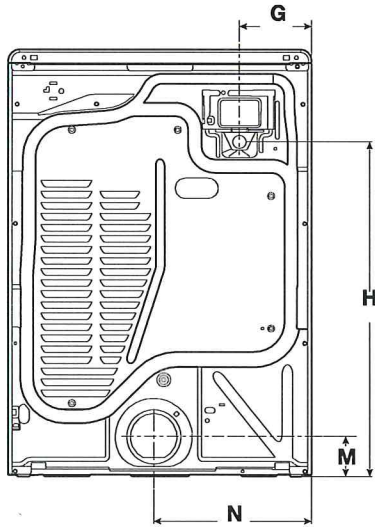
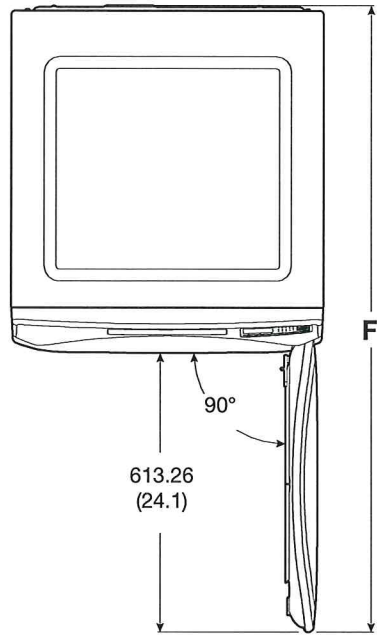
**WARNING:** To reduce the risk of fire, electric shock, or injury to persons, read the IMPORTANT SAFETY INSTRUCTIONS and INSTALLATION INSTRUCTIONS, located in your appliance's Owner's Manual, before installing and operating this appliance.

Electrical Requirements		
Fuel Type	Electric	Gas
Minimum Circuit Amperage Rating	30 A	15 A
Maximum AMP Draw	24 A	6 A
Operating Voltage	240 V AC only 230 V AC only (Canada)	120 V AC only
Operating Frequency	60 Hz	



Product Dimensions					
		in (min)	in (max)	mm (min)	mm (max)
A	Height (with feet)	38 <sup>1</sup> / <sub>8</sub>	39	968	989
B	Width	27	-	686	-
C	Depth	30 <sup>5</sup> / <sub>8</sub>	-	778	-
D	Side Vent Height (feet min)	3 <sup>1</sup> / <sub>2</sub>	4 <sup>3</sup> / <sub>8</sub>	89	111
E	Side Vent (from back)	10 <sup>3</sup> / <sub>16</sub>	-	258	-

## DETAILED PLANNING DIMENSIONS



**Product Dimensions**

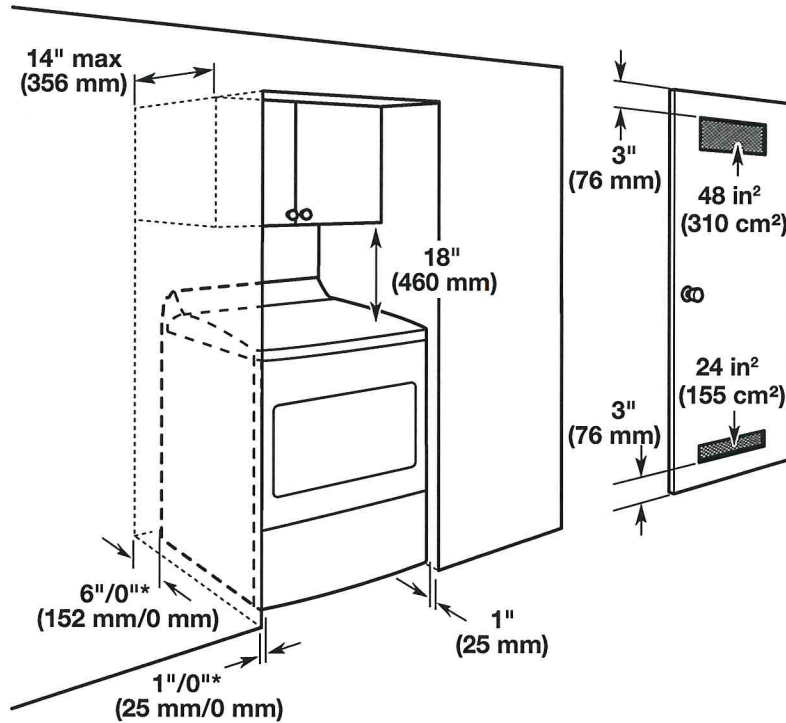
		in (min)	in (max)	mm (min)	mm (max)
F	Depth with Door Open	54 <sup>5</sup> / <sub>16</sub>	-	1378	-
G	Strain Relief from Side (elec)	6 <sup>3</sup> / <sub>8</sub>	-	163	-
H	Strain Relief Height (elec)	29 <sup>7</sup> / <sub>8</sub>	30 <sup>11</sup> / <sub>16</sub>	759	780
G	Power Cord from Side (Canadian)	6 <sup>3</sup> / <sub>8</sub>	-	163	-
H	Power Cord Height (Canadian)	29 <sup>7</sup> / <sub>8</sub>	30 <sup>11</sup> / <sub>16</sub>	759	780
	Power Cord Length (Canadian)	53 <sup>3</sup> / <sub>8</sub>	-	1356	-
I	Power Cord from Side (gas)	3 <sup>13</sup> / <sub>16</sub>	-	96	-
J	Power Cord Height (gas)	31 <sup>13</sup> / <sub>16</sub>	32 <sup>11</sup> / <sub>16</sub>	808	829
	Power Cord Length (gas)	72	-	1828	-
K	Gas Valve Height	5 <sup>5</sup> / <sub>8</sub>	6 <sup>3</sup> / <sub>8</sub>	142	163
L	Gas Valve from Side	1 <sup>3</sup> / <sub>8</sub>	-	36	-
M	Exhaust Duct Height	3 <sup>1</sup> / <sub>2</sub>	4 <sup>3</sup> / <sub>8</sub>	90	111
N	Exhaust Duct from Side	14 <sup>1</sup> / <sub>8</sub>	-	358	-

## DETAILED PLANNING DIMENSIONS

### Spacing for recessed area or closet installation

The dimensions shown are for the recommended spacing allowed.

- Additional spacing should be considered for ease of installation and servicing.
- Additional clearances might be required for wall, door, and floor moldings.
- Additional spacing of 1" (25 mm) on all sides of the dryer is recommended to reduce noise transfer.
- For closet installation, with a door, minimum ventilation openings in the top and bottom of the door are required. Louvered doors with equivalent ventilations openings are acceptable.
- Companion appliance spacing should also be considered.



\*Recommended/Minimum spacing